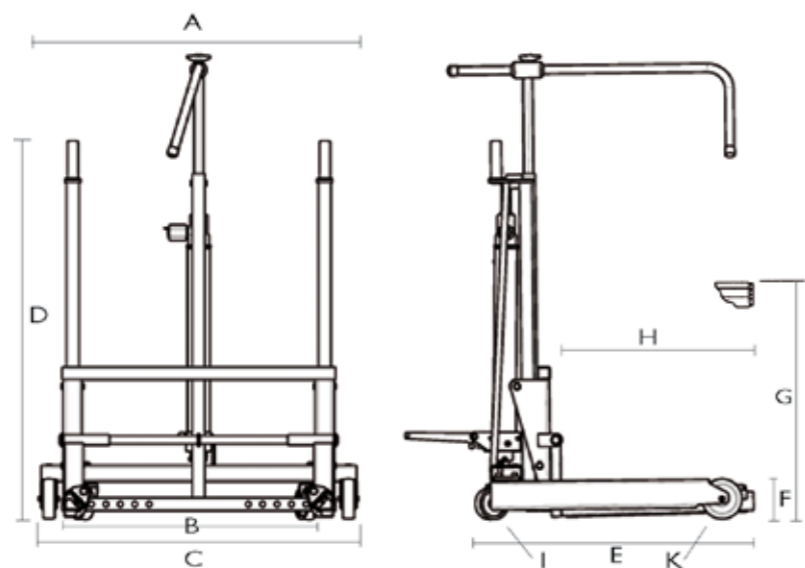
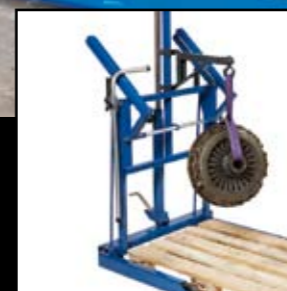


# WHEEL TROLLEY Model WTA500 and WT1000



## Technical Data

| Model                              |   |      | WTA500   | WT1000    |
|------------------------------------|---|------|----------|-----------|
| Capacity                           |   | kg   | 500      | 1000      |
| Frame width                        | A | mm   | 854      | 1010      |
| Distance between rollers           | B | mm   | 270-720  | 885       |
| Total width                        | C | mm   | 988      | 1250      |
| Total height                       | D | mm   | 1182     | 1300      |
| Total length                       | E | mm   | 870      | 1130      |
| Min. height above rollers          | F | mm   | 106      | 160       |
| Max. height above rollers          | G | mm   | 717      | 750       |
| Roller length / lifting arm length | H | mm   | 416/600  | 610       |
| Wheel diameter-revolving wheels    | I | ø mm | 100      | 125       |
| Wheel diameter-fixed wheels        | K | ø mm | 125      | 150       |
| Diameter of rollers                |   | ø mm | 40       | 100       |
| Wheel diam. up to                  |   | ø mm | 270-1300 | 1150-1440 |
| Weight                             |   | kg   | 100      | 200       |



## WHEEL TROLLEY

A flexibel solution for handling of heavy wheels and brake kits

AC Hydraulic A/S

Fanøvej 6 DK-8800 Viborg Tel. +45 86 62 21 66 Fax +45 86 62 29 88

E-mail [ac@ac-hydraulic.dk](mailto:ac@ac-hydraulic.dk)

[www.ac-hydraulic.com](http://www.ac-hydraulic.com)



[www.ac-hydraulic.dk](http://www.ac-hydraulic.dk)

# WHEEL TROLLEY Model WTA500

## Flexible wheel trolley for changing of wheels and brake kits

- Ergonomic and quick wheel change
- Slidable lifting arms for items from  $\varnothing$  270-1300 mm
- Easy operation
- Foot-operated pump
- Roller bearings on the lifting arms for easy rotation of the wheel
- Increased flexibility with pivoting crane arm for lifting brake kits

### Good ergonomics and practical for heavy lifting

The slidable lifting arms make the WTA500 easy and quick to operate when changing wheels. The wheel trolley also ensures good ergonomics even for heavy lifting.

### Increased flexibility with pivoting crane arm

WTA500 can be equipped with a pivoting telescopic



crane arm (option) ideal e.g. for changing brake kits, but also suitable for many other lifting operations. The crane is able to lift up to 250 kg.

### Safety

The high degree of safety is ensured by hand operated dead-man's release and safety valve to prevent overload as well as safety bracket to secure the wheel during trans-



Slidable lifting arms with roller bearings



Slidable lifting arms - without use of tools



Telescopic crane arm (Option)



Pivoting crane arm (Option)



Dismounting of disc brake - easy and ergonomically correct lifting



Dismounting of calipers - to spare the mechanic the heavy lifting jobs



Also ideal for lifting tanks, tool boxes, brake drums etc.



Legs adjusted for EUR-pallets